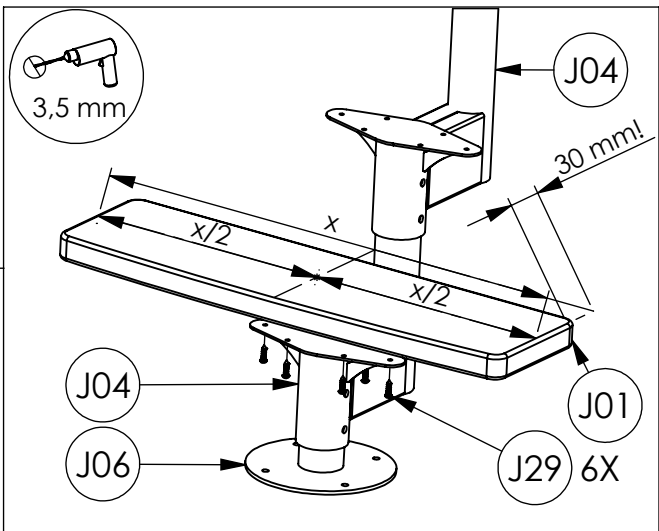
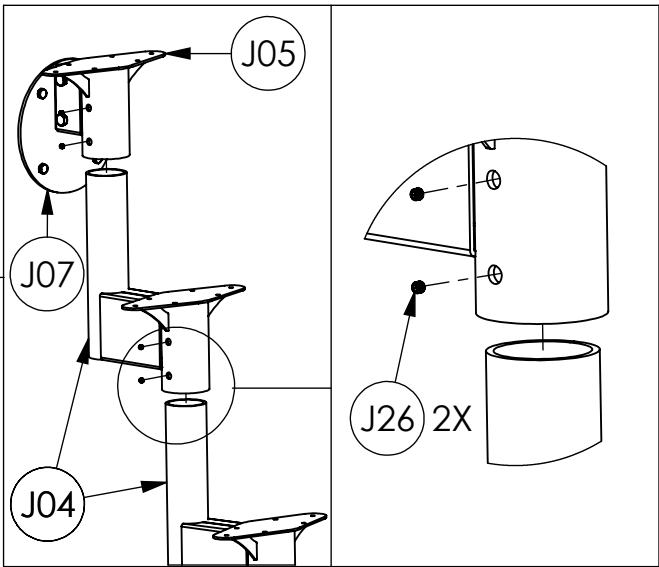
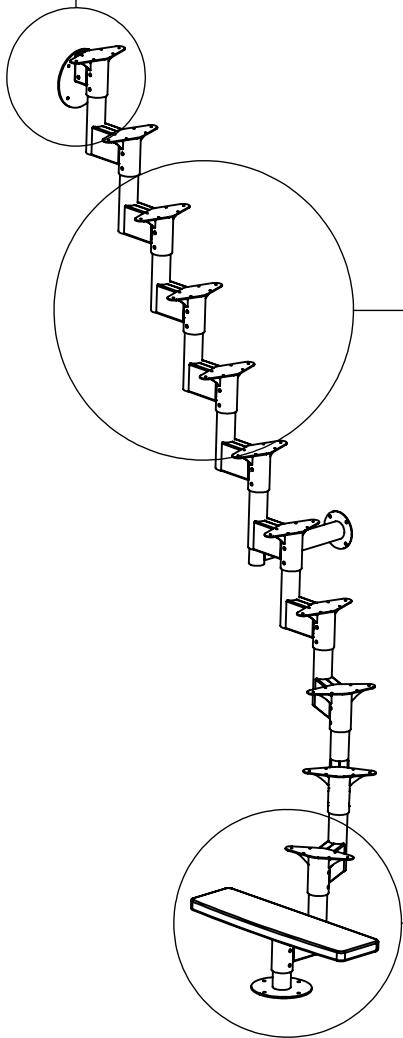
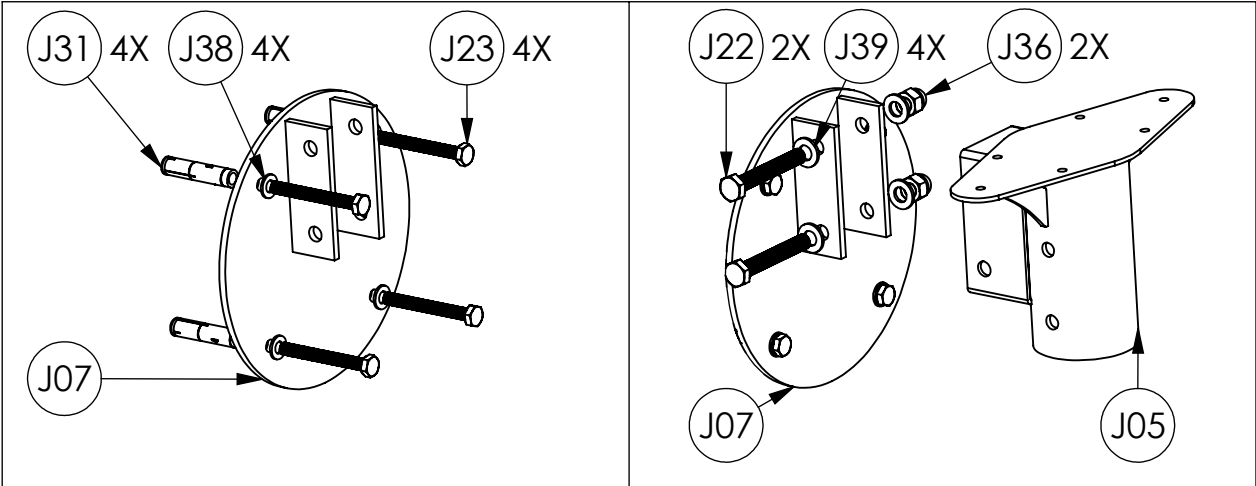


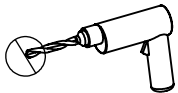
H	
8	1376 - 1872 mm
9	1548 - 2106 mm
10	1720 - 2340 mm
11	1892 - 2574 mm
12	2064 - 2808 mm
13	2236 - 3029 mm

JOKER TURN / EB-2066-07

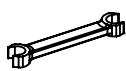
J01 12x	J02 2x	J03 2x	J04 11x	J05 1x
J06 1x	J07 1x	J08 $\phi 22 \times 1 \times 995 \text{ mm}$ 12x	J09 $\phi 22 \times 1 \times 1100 \text{ mm}$ 4x	J10a 1x
J11a 1x	J12 M8 x 1000 mm 3x	J13 $\phi 50 \times 1 \times 952 \text{ mm}$ 3x	J14 $\phi 22 \text{ mm}$ 12x	J15 $\phi 35 \text{ mm}$ 4x
J16 $\phi 60 \text{ mm}$ 11x	J17 12x	J18 22x	J19 12x	J20 5x
J21 8x	J22 M10 x 70 mm 2x	J23 M8 x 70 mm 12x	J25 M5 x 20 mm 12x	
J26 M10 x 8 mm 26x	J27 M6 x 6 mm 38x	J28 $\phi 5 \times 40 \text{ mm}$ 66x	J29 $\phi 6 \times 30 \text{ mm}$ 72x	J30 $\phi 3.9 \times 16 \text{ mm}$ 24x
J31 M8 x 55 mm 12x	J32 M6 DIN 562 38x	J33 M5 DIN 934 12x	J34 M8 DIN 934 4x	J35 M8 DIN 6334 2x
J36 M10 DIN 1587 2x	J37 M10 DIN 9021 6x	J38 M8 DIN 125 19x	J39 M10 DIN 125 4x	J40 $\phi 4 \times 25 \text{ mm}$ 12x



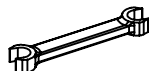
3



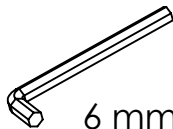
12 mm



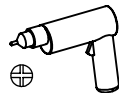
13 mm



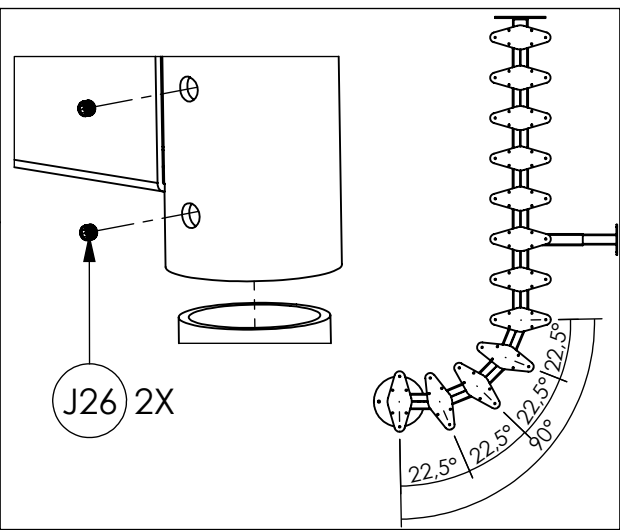
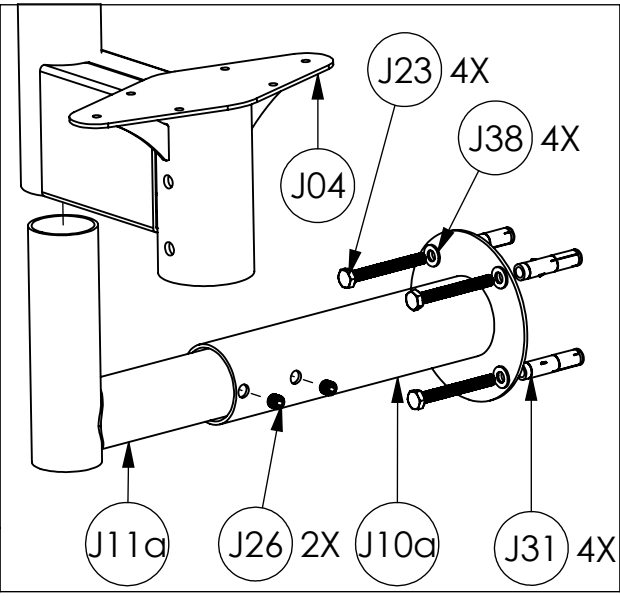
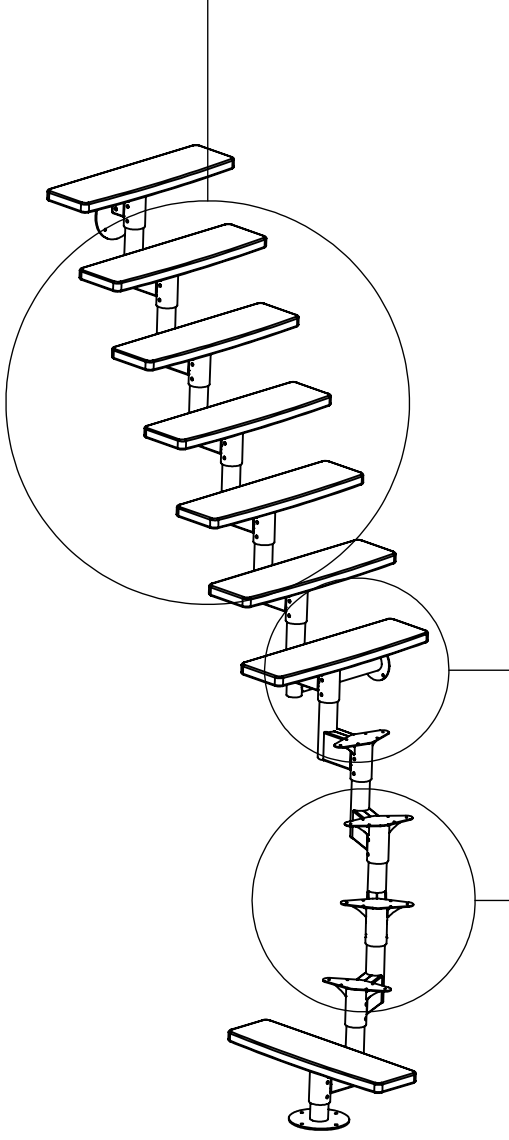
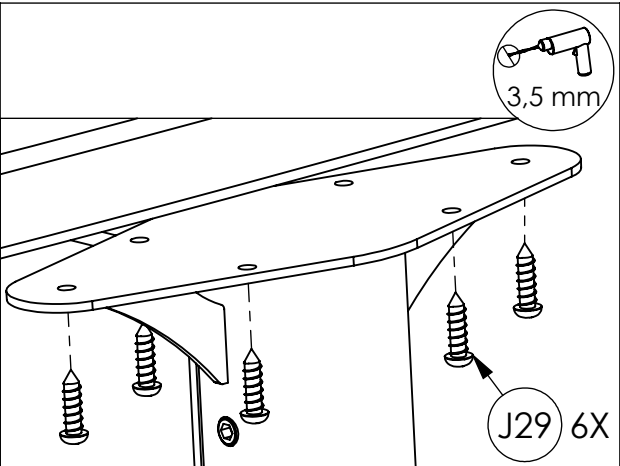
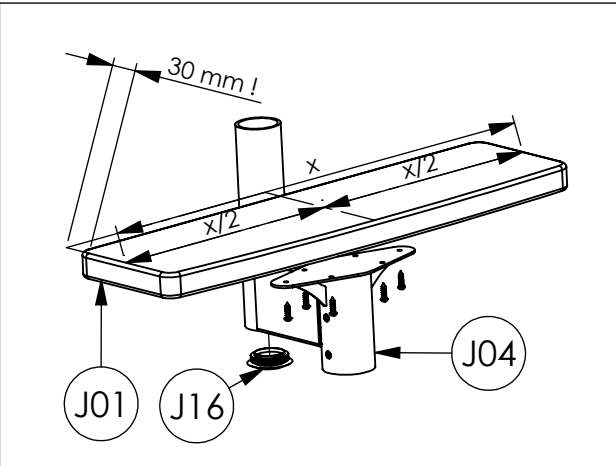
17 mm



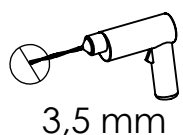
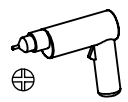
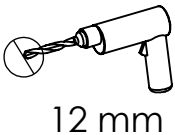
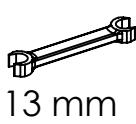
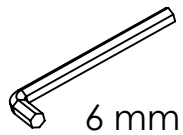
6 mm

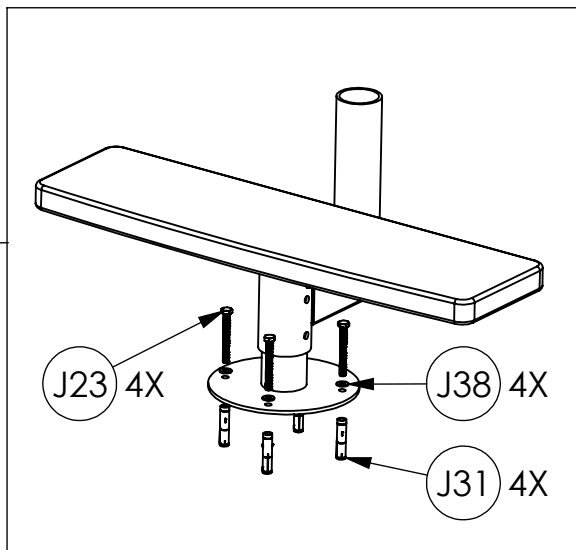
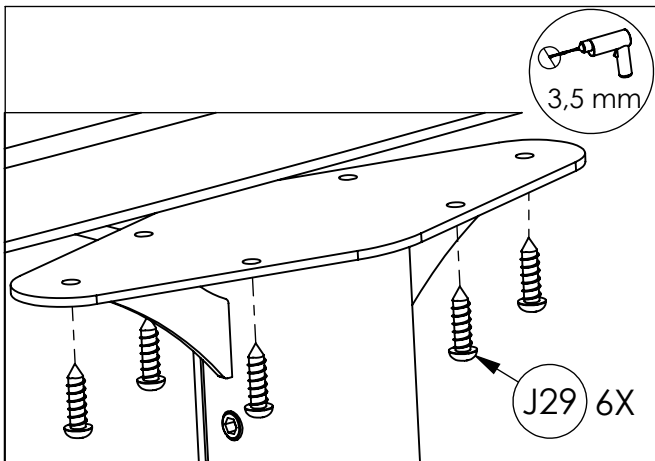
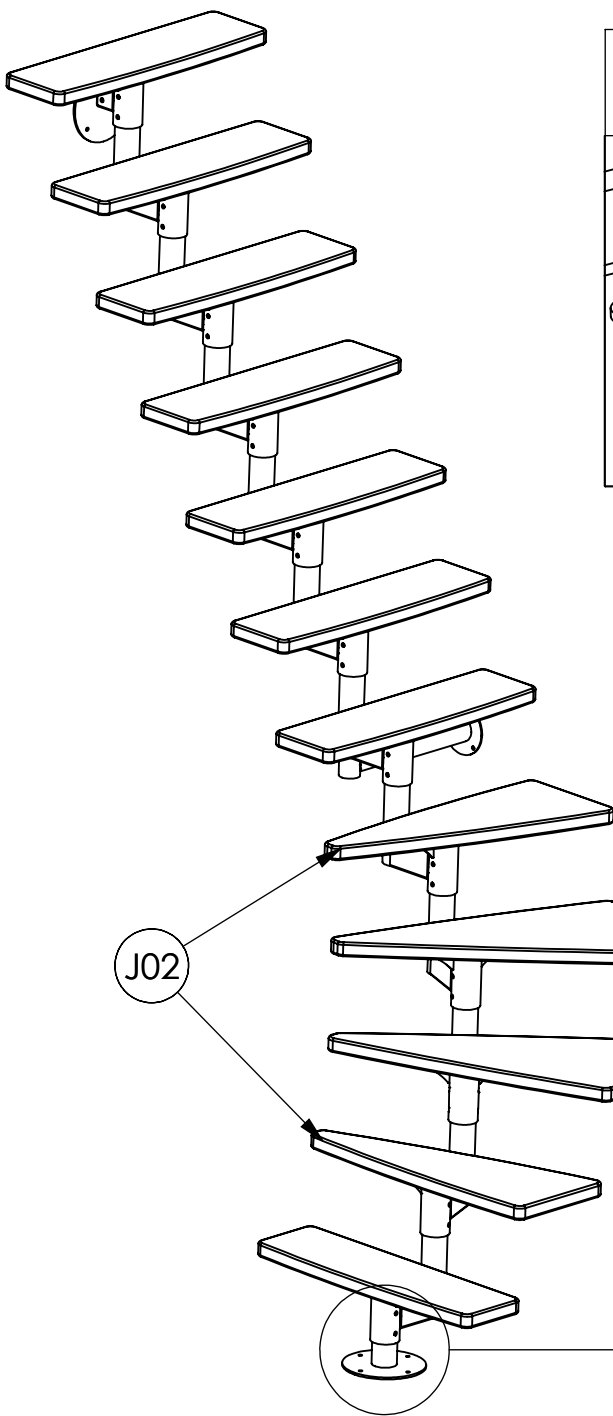


3,5 mm

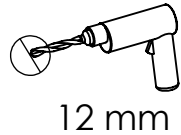


4

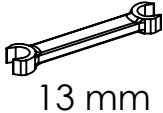




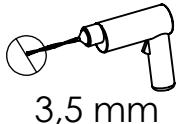
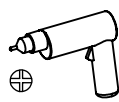
5



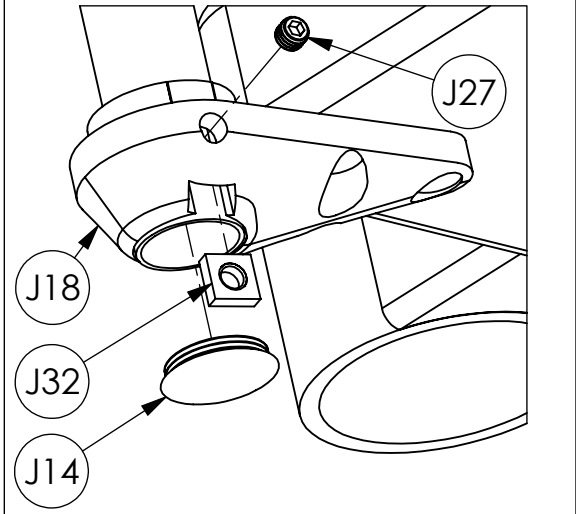
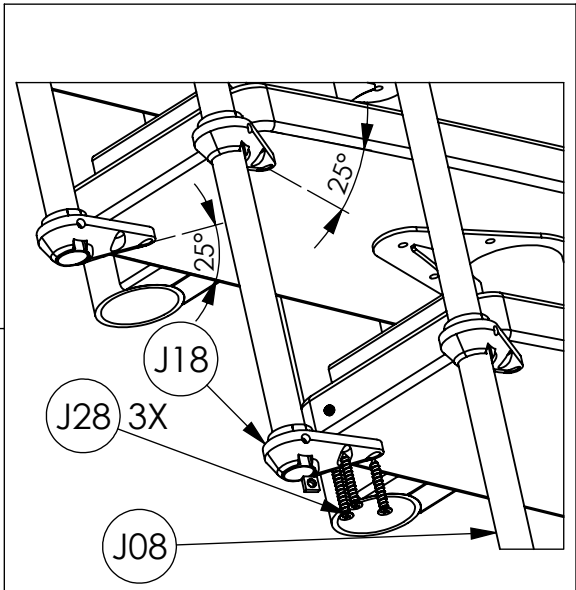
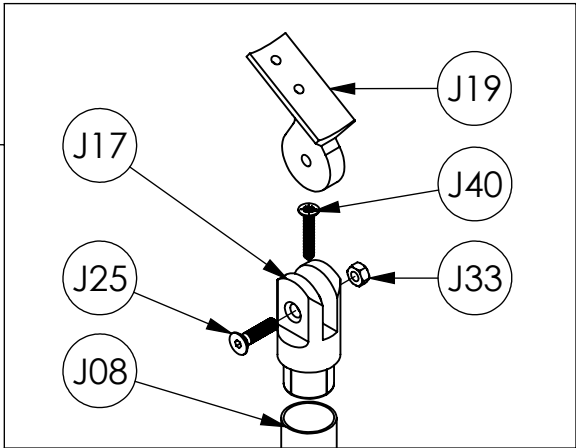
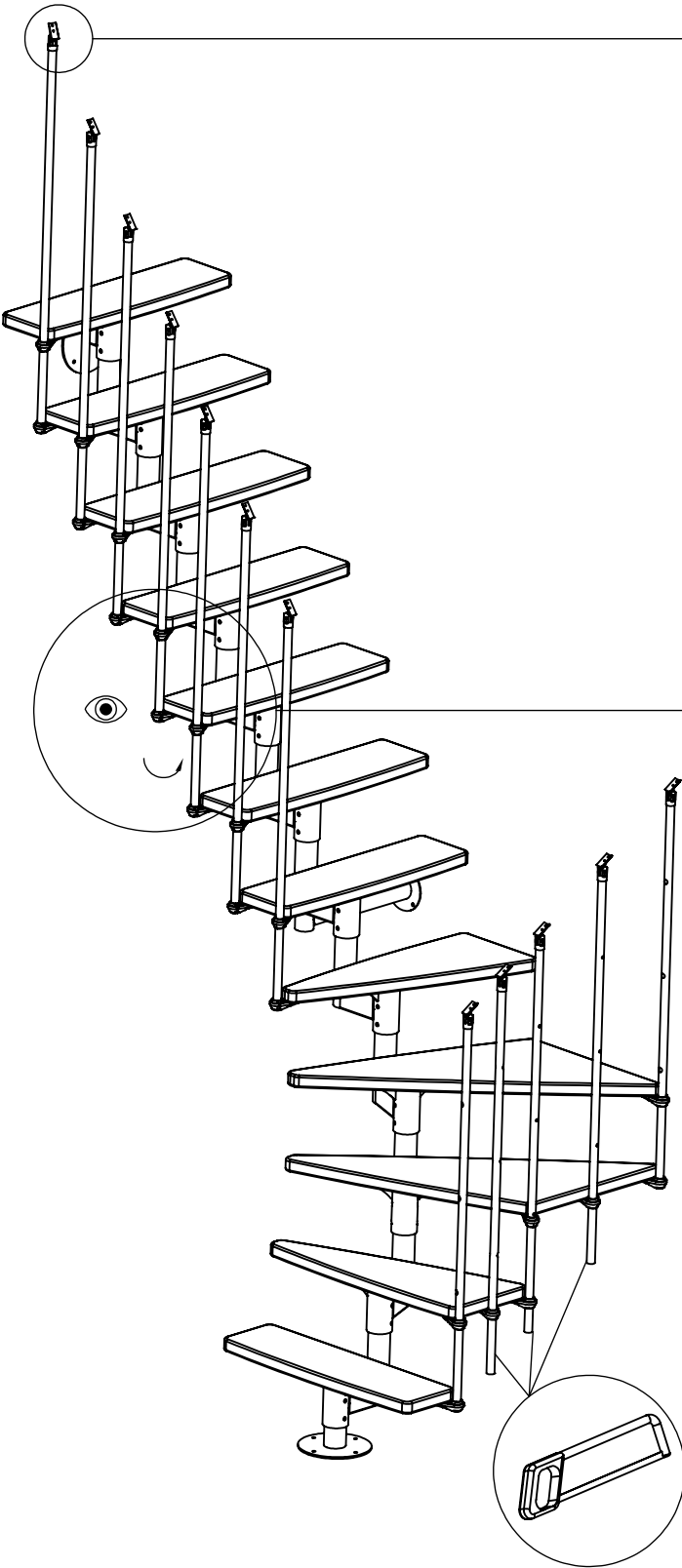
12 mm



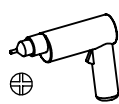
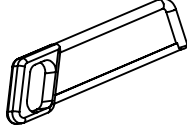
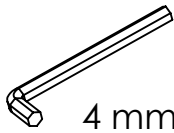
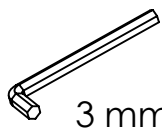
13 mm

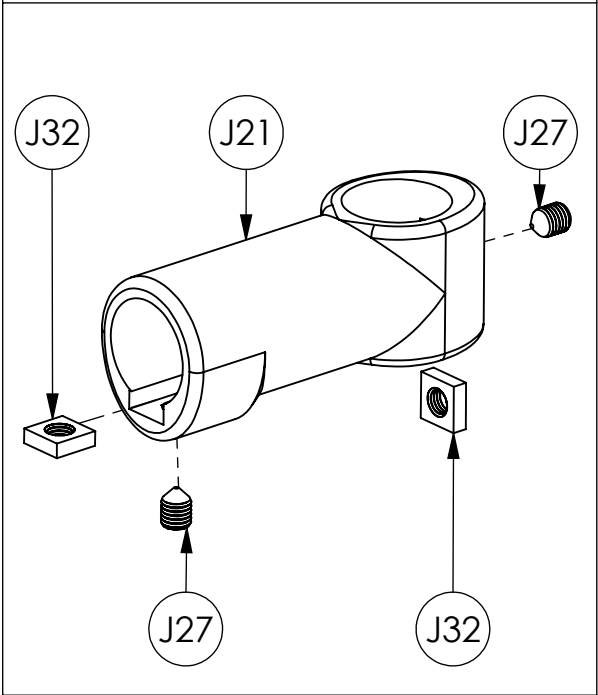
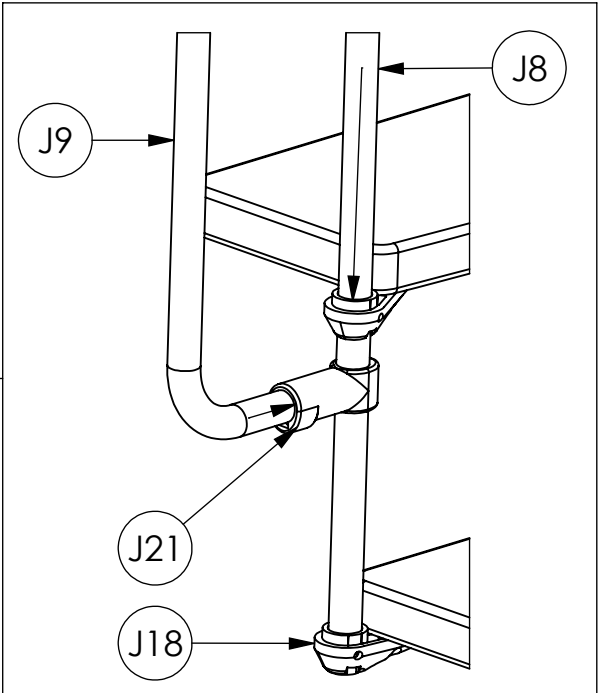
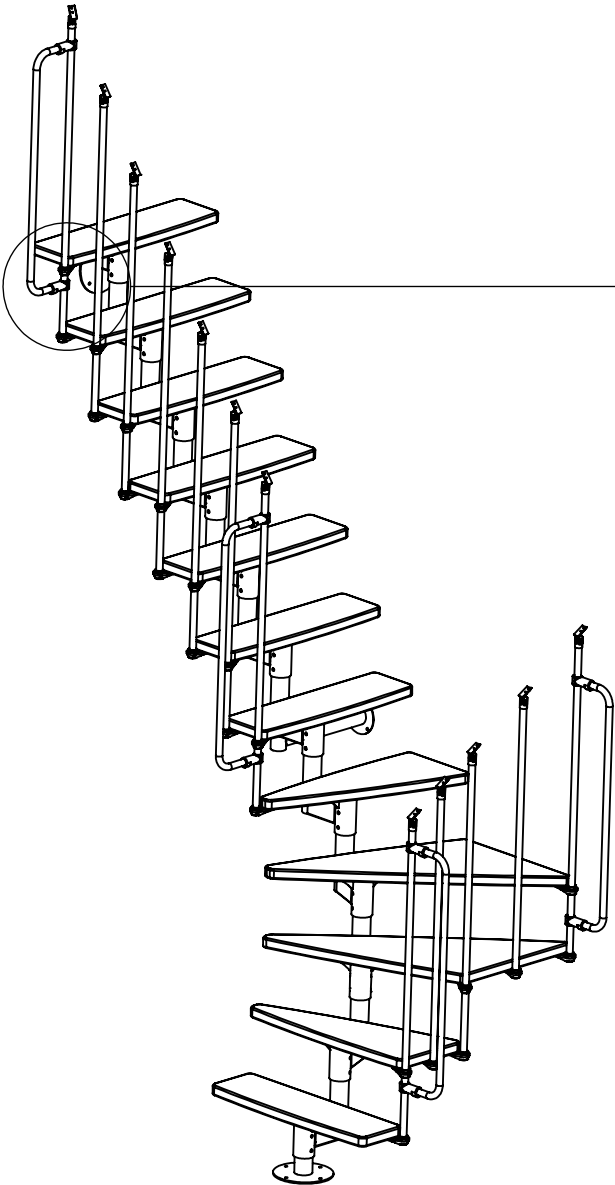


3,5 mm

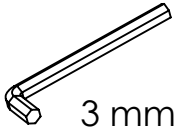


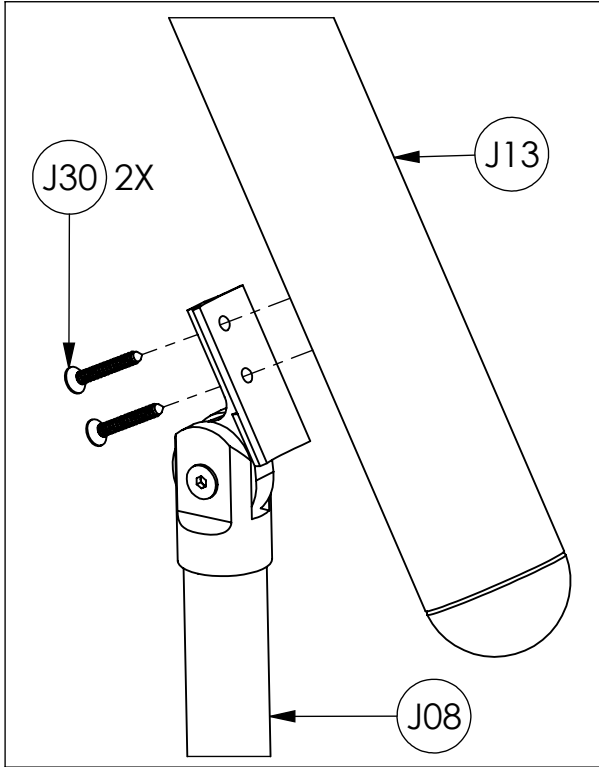
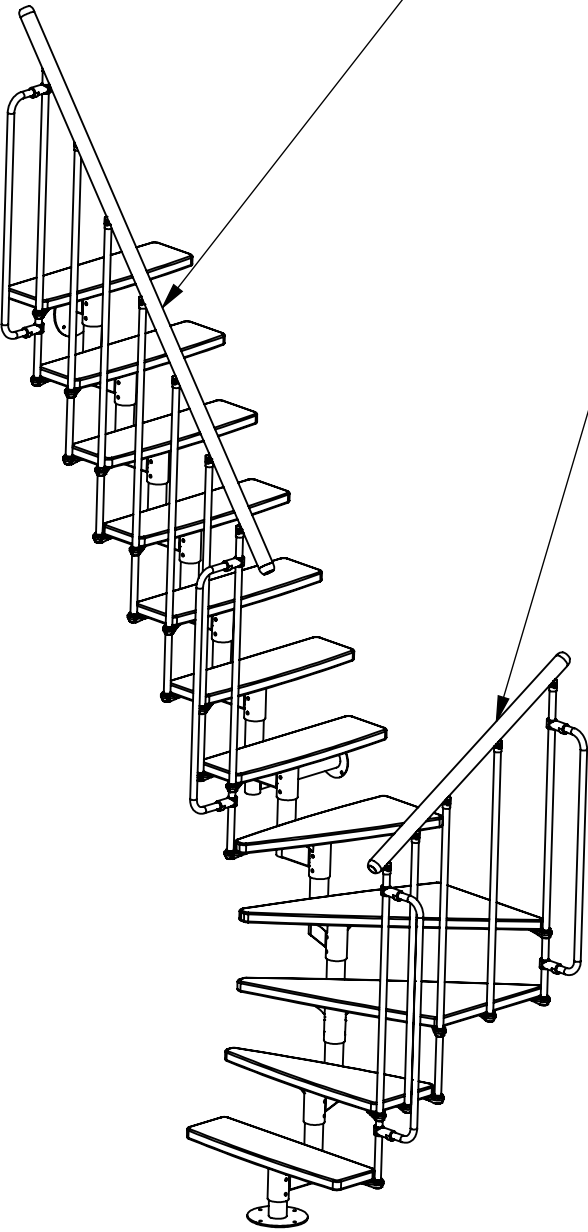
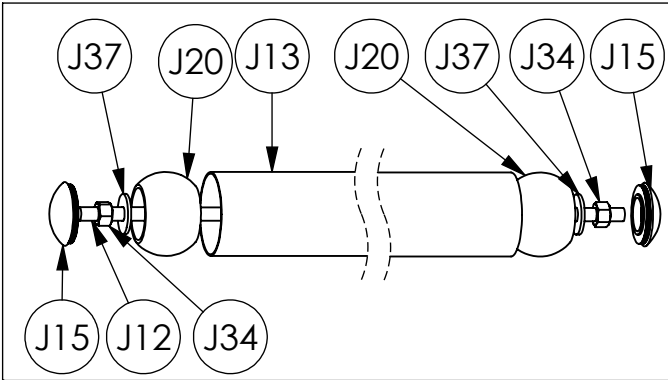
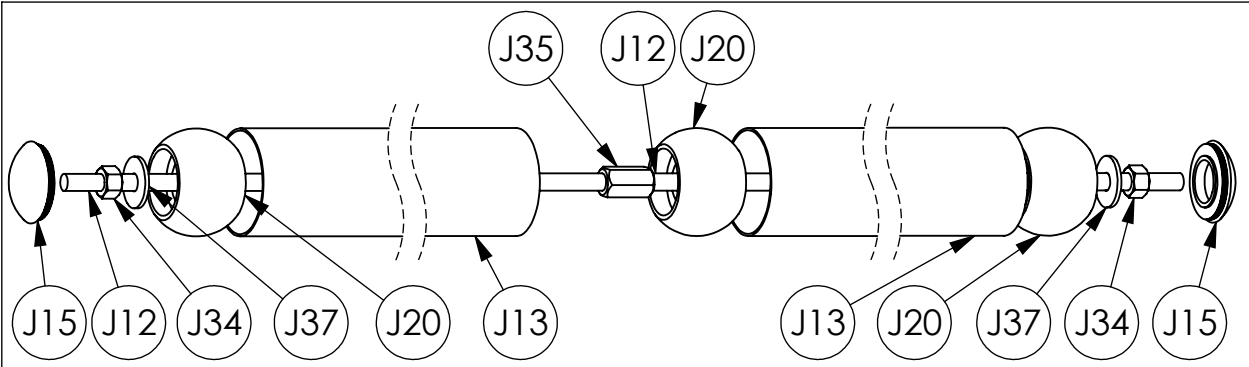
6



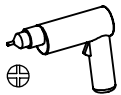


7





8



13 mm